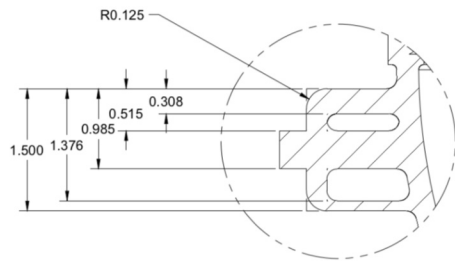
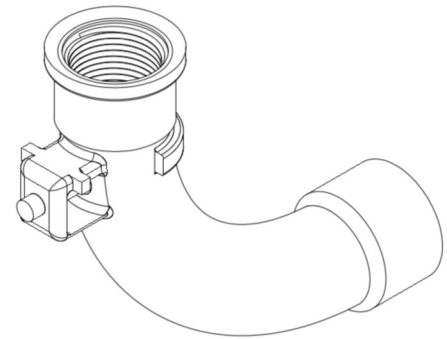
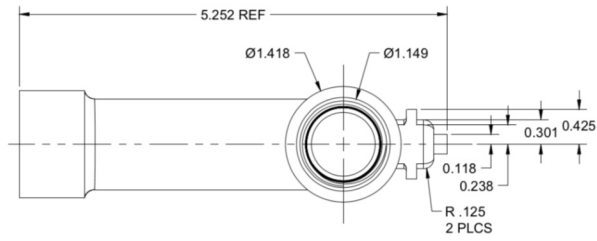
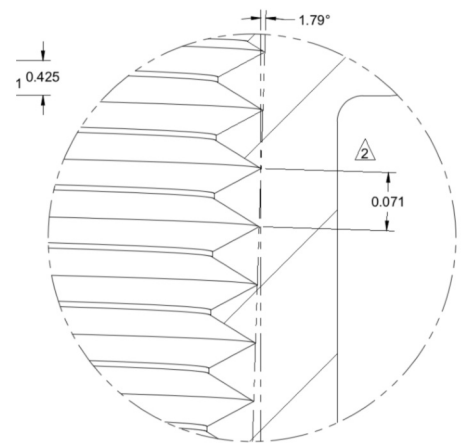
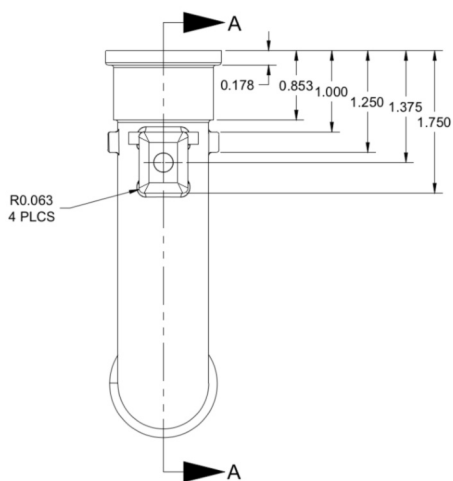
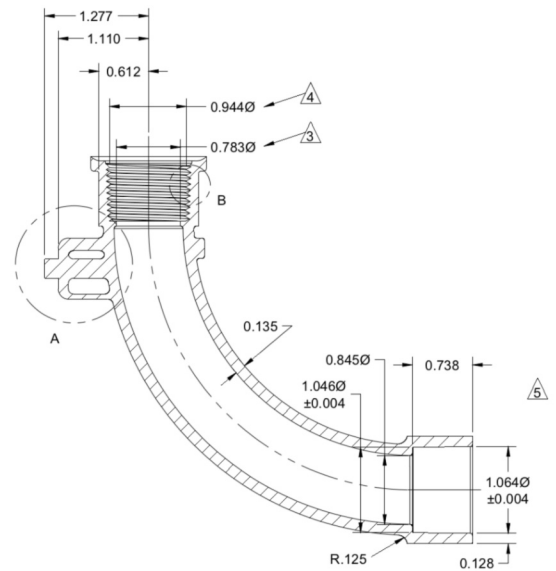
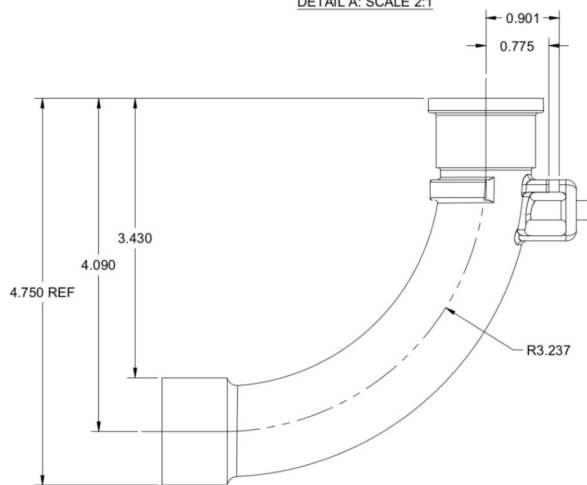


PVC SHORT RADIUS BEND SPECIFICATIONS

SRB-075



DETAIL A: SCALE 2:1



DETAIL B: SCALE 10:1